
Treatment of surface water



Treatment of surface water

cleaning of surface water on site effective and economic-optimized:



- Road traffic
- Parking areas
- Industrial sites
- properties



**pollution burden of ground and surface water
by accidents and / or disasters**



pollution burden of ground and surface water by road traffic

The road traffic as a source of pollutants

Roads are known as sources of soil pollution with heavy metals, especially lead, cadmium and zinc. Lead originates mainly from fuel. Zinc and cadmium are applicable to tire abrasion. In one year approx. 56 million tons of fuel are consumed.



SOLUTIONS

central treatment:

- central sewage plant
- central rainwater purification basin

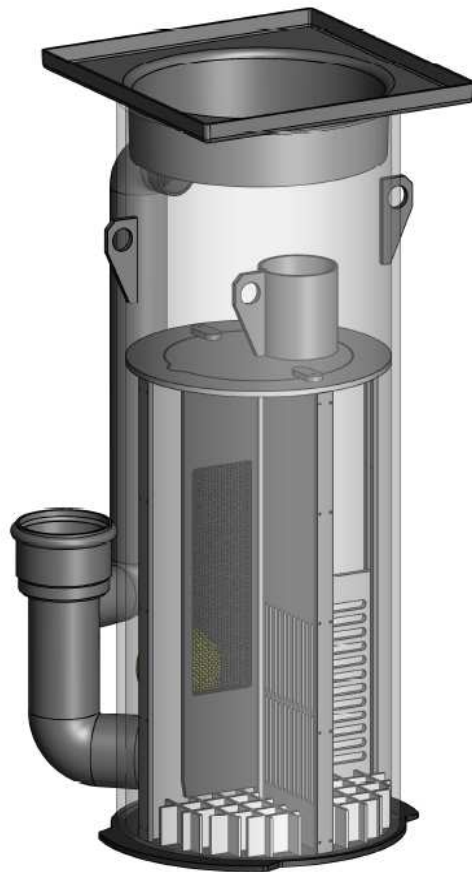


decentralized treatment:

- GreenLife Safety Street Drain GSSD



Treatment unit for surface water



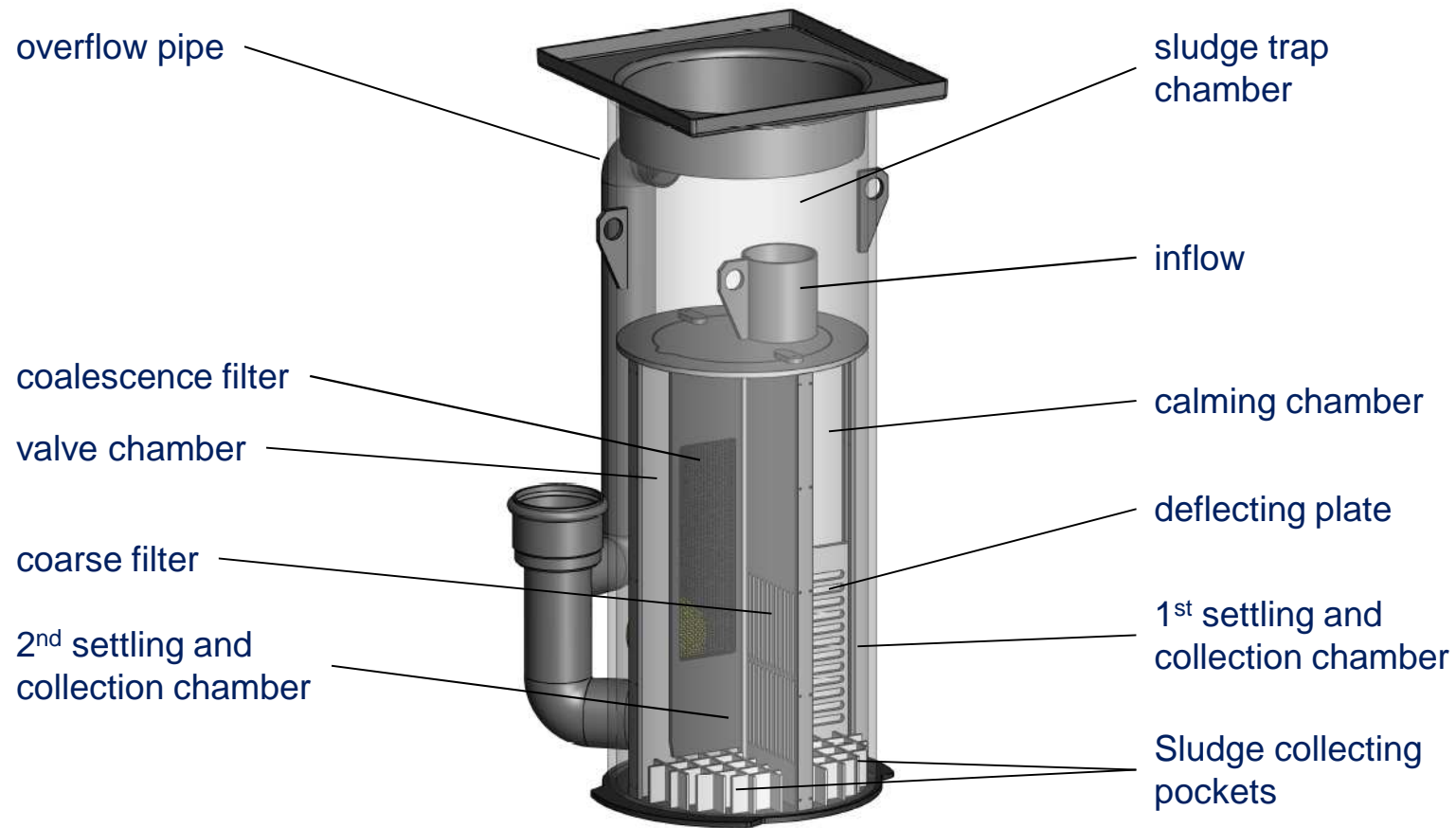
Safety Street Drain GSSD-L Incl. Adapter

Catchment area: 300-350 m²
Total drainage capacity: 9,5 l/s
Treatment performance: 3,2 l/s

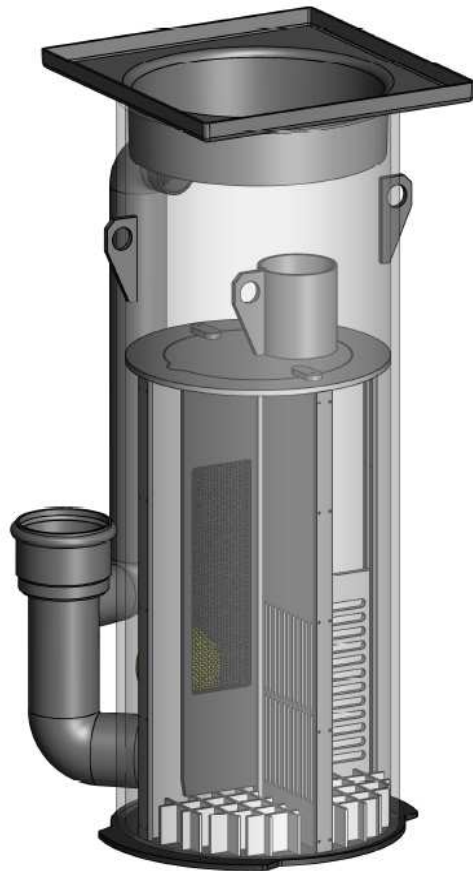
Load capacity: up to SLW 60
Dimensions: DN 500, h 1300 mm
Weight: 49 kg



Treatment unit for surface water



Treatment unit for surface water



This safety street drain replaces the conventional street drain and cleans the contaminated surface water from roads, parking lots, work yards, industrial sites, etc.

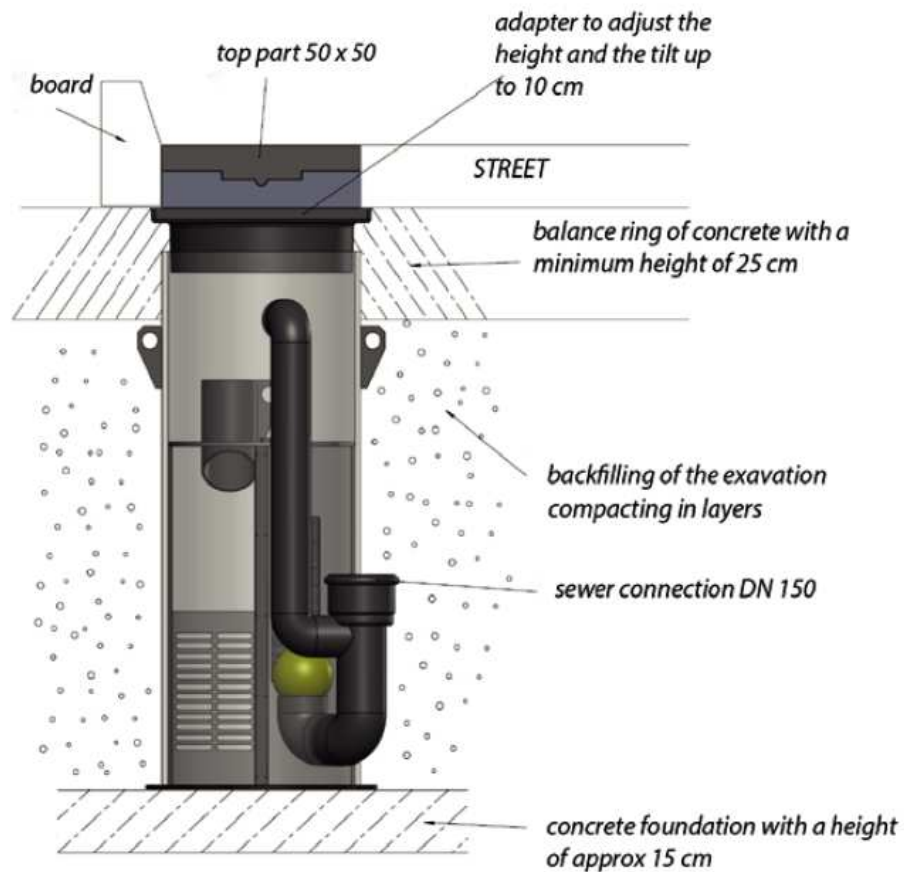
Advantages:

- Decentralized treatment reduces the need of storm water reservoir
- High cleaning performance of sometimes more than 70%
- Reduction of investment costs up to 60%
- No follow-up costs by changing substrates and filters
- With safety valve and siphon



Treatment unit for surface water

Installation sketch



Treatment unit for surface water



Safety Street Drain GSSD-LS (side inflow) **Incl. Adapter**

Catchment area: 300-350 m²
Total drainage capacity: 9,5 l/s
Treatment performance: 3,2 l/s

Load capacity: up to SLW 60
Dimensions: DN 500, h 1300 mm
Weight: 49 kg



Treatment unit for surface water



Safety Street Drain GSSD-XL Incl. Adapter

Catchment area: 1200 m²
Total drainage capacity: 20 l/s
Treatment performance: 9,5 l/s

Load capacity: up to SLW 40
Dimensions: DN 800, h 1800 mm
Weight: 150 kg



Treatment unit for surface water

The table represents the cleaning performance of the Safety Street Drain GSSD.
Under laboratory conditions, they are still much better.
Measurements according DIN ISO/IES 17025:2000

pollutants	inflow up to mg/l	outflow up to mg/l	cleaning performance in percent
petroleum-derived hydrocarbon	16	6,1	approx. 62%
lead (Pb)	0,422	0,179	approx. 58%
zinc (Zn)	4,81	1,69	approx. 68%
copper (Cu)	1,24	0,495	approx. 60%
cadmium (Cd)	0,0038	0,0014	approx. 64%
filterable substances	2730	762	approx. 72%



Treatment unit for surface water

KEY FACTS:

- collects surface water and sediment
- catching of wet and dry sludge
- separation and retention of liquids and heavy metals
- discharge into streaming water or percolation
- safety valve for emergency case
- no follow-up costs, cost reduction up to 65%
- odour trap
- marginal space demand
- long life time (warranty 20 years)



Vielen Dank für die Aufmerksamkeit!

GreenLife GmbH

Sacktannen 1a
19507 Schwerin

Tel.: 0385 77337-60

E-Mail: sj@greenlife.info

www.greenlife.info

www.facebook.com/GreenLife.GmbH



Animation
Grauwasser-Recycling



GreenLife on facebook

